

1.50

CONTROL VALVES

Valvoid

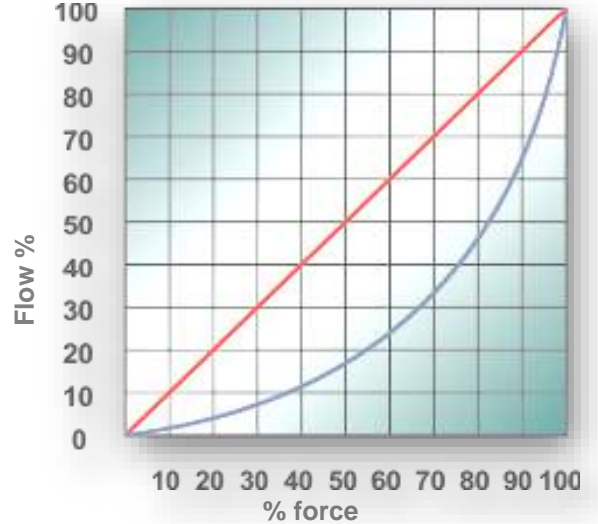
valvole industriali

VALVOID Via Pascoli, 5 - 24060 Bagnatica (Bergamo) Tel. 035.681919 Fax. 035.680954

CONTROL VALVES WITH PNEUMATIC MODULATING ACTUATOR

The Body of all control valves can be made in nodular cast iron, in carbon steel, or AISI316
 Can be used for gas and liquid fluid
 to max 40bar pressure.
 All valves are calibrated and tested.
 They are ready to use for a long working time.

Series	KIND	DN	PN	TEMP.
EURO	2 VIE	DN 15/100	PN 16	205°C
800	2 VIE	DN 15/100	PN 16/40	-20+205°C
2000	2 VIE	DN 15/150	PN/ANSI 300	-196+350°C
803	3 VIE	DN 15/100	PN 16/40	-20+205°C
2003	3 VIE	DN 15/150	PN/ANSI 300	-196+350°C



— LINEAR

— EQ%

3-15 psi		6-30 psi		3-15 psi		6-30 psi		SPRING RANGE				3-15 psi		6-30 psi		3-15 psi		6-30 psi	
S200		S275		S340		S430		ACTUATOR				S200		S275		S340		S430	
NORMALLY CLOSED VALVES								DN	CV	Kv	NORMALLY OPEN VALVES								
14,5	29	31,5	-	-	-	-	-	15	4	3,5	29	-	-	-	-	-	-	-	
8	16	17,5	35	-	-	-	-	20	7	6	16	-	35	-	-	-	-	-	
5,7	11,5	12,2	24,5	-	-	-	-	25	12	10	11,5	29	24,5	-	-	-	-	-	
3,2	6,5	7	14	12	24	-	-	32	18	15,5	6,5	16	14	35	-	-	-	-	
2,2	4,5	5	10	8,5	17	-	-	40	28	24	4,5	11,5	10	25	-	-	-	-	
1,2	2,5	2,7	5,5	4,7	9,5	7,2	14,5	50	48	41	2,5	6,5	5,5	14	9,5	24	-	-	
-	-	-	-	3	6	4,5	9	65	72	61,5	-	-	-	-	6	15	9	22	
-	-	-	-	2,2	4,5	3,5	7	80	105	90	-	-	-	-	4,5	12	7	18	
-	-	-	-	1,2	2,5	2	4	100	160	136	-	-	-	-	2,5	6,5	4	10	

CODING SYSTEM

KA... 2 way valve EURO series
 KB... 2 way valve 800 series
 KC... 2 way valve 2000 series
 KD... 3 way valve 803 series
 KE... 3 way valve 2003 series

- ..1 cast iron body
- ..2 carbon steel body
- ..3 stainless steel body
- ...1 PN 16
- ...2 PN 25/40
- ...3 PN 64/100
- ...4 ANSI 150
- ...5 ANSI 300
-A STANDARD
-B FINNED
-C BELLOWS
-D CRYOGENIC

STANDARD



-30 + 250°C

FINNED



-30 + 350°C

BELLOWS



-100 +350°C

CRYOGENIC



-196 + 180°C

1.51

CONTROL VALVES

Valvoind

valvole industriali

VALVOIND Via Pascoli, 5 - 24060 Bagnatica (Bergamo) Tel. 035.681919 Fax. 035.680954

KA

2 WAYS CONTROL VALVES EURO SERIES

Size (DN)	DN15-100
Nominal Press.	PN16, PN40
Characteristic	Equalpercentage (eqp%)
Type sealing	Soft Metallic (class IV-V)
Connection	Flanges UNI/DIN PN16, PN40
Action	Pneumatic with diaphragm (Supply max 3 bar)
Temperature	from -20 to +205°C



Materials	
Valve body:	Nodular cast iron GGG40 (PN16) Carbon steel ASTM A216 WCB Stainless steel ASTM CF8M
Trim (plug-seat):	316L / 17-4PH / 316L+Stellite alloy
Stem:	316L
Packing:	PTFE, PTFE+'OR' FPM, special
Body gasket:	FASIT 400, SIL C4500, PTFE
Actuator:	Cast Iron (epoxy varnish) Stainless steel
Yoke:	GGG40 (epoxy varnish) Stainless steel

CODES	DN	Standard Dimension (mm)				Kg
		A	C	D	E	
KA...04	15	130	212	205 / 275	88 / 100	12/15
KA...05	20	150	212	205 / 275	88 / 100	13/16
KA...06	25	160	212	205 / 275	88 / 100	14/17
KA...07	32	180	212	275 / 340	100 / 135	19/25
KA...08	40	200	212	275 / 340	100 / 135	20/26
KA...09	50	230	212	275 / 340 / 430	100 / 135 / 135	26/32
KA...10	65	290	298	340 / 430	135	47/53
KA...11	80	310	298	340 / 430	135	51/57
KA...12	100	350	318	430	135	65



KB

2 WAYS CONTROL VALVES SERIE 800

Technical Data

with screwed single seat and lower bottom for inspection.

Size (DN)	DN 15 - 100
Nominal Press.	PN16, PN 40
Connections	Flanges UNI/DIN PN16, PN40
Type sealing	Soft (Class VI) Metallic (Class IV - V)
Characteristic	Equalpercentage (eqp%)
Action	Pneumatic with diaphragm (Supply max 3 bar)
Temperature	from -20 to +205°C



Materials	
Valve body	Nodular cast iron GGG40 (PN16) Carbon steel ASTM A216 WCB Stainless steel ASTM CF8M
Trim (Plug - seat)	316L / 17-4PH / 316L+Stellite Alloy / Hastelloy / Monel
Stem	316L / Hastelloy / Monel
Packing	PTFE, PTFE+'OR' FPM , special
Body gasket	FASIT 400, SIL C4500, PTFE, speciale
Actuator	Cast Iron (epoxy varnish) Stainless Steel ASTM CF8M
Yoke	GGG40 (epoxy varnish) Columns in stainless steel

CODES	DN	Standard dimension (mm)				Weight **
		A	C	D	E	
KB...04	15	130	212	205 / 275	88 / 100	14/17
KB...05	20	150	212	205 / 275	88 / 100	15/18
KB...06	25	160	212	205 / 275	88 / 100	16/19
KB...07	32	180	212	275 / 340	100 / 135	22/29
KB...08	40	200	212	275 / 340	100 / 135	23/30
KB...09	50	230	212	275 / 340 / 430	100 / 135 / 135	29/35/41
KB...10	65	290	298	340 / 430	135	53/59
KB...11	80	310	298	340 / 430	135	57/63
KB...12	100	350	318	430	135	78

** = The valve's weight indicated is without any accessories



1.52

CONTROL VALVES

Valvoind

valvole industriali

VALVOIND Via Pascoli, 5 - 24060 Bagnatica (Bergamo) Tel. 035.681919 Fax. 035.680954

KC

2 WAYS CONTROL VALVES SERIE 2000

Technical Data

This series "heavy duty" control valve offers superior performance. The shutter has two guides (upper and lower)

Size (DN)	DN 15 - 150
Nominal press.	PN 16, PN 40, ANSI 300
Type sealing	Metallic (class IV-V) Soft (class VI)
Connections	Flanges UNI / DIN PN 16, PN 40 Flanges ANSI 300
Characteristic Action	Equalpercentage (eqp%) Pneumatic with diaphragm (supply max 3 bar)
Temperature	-196...+350°C (highpoint)



Valve body

Trim (Plug - seat)

Stem

Packing

Body gasket

Actuator

Yoke

Materials

Valve body	Nodular cast iron GGG40 (PN16) Carbon steel ASTM A216WCB Stainless steel ASTM CF8M
Trim (Plug - seat)	316L / 17-4PH / 316L+Stellite / Hastelloy / Monel
Stem	316L / Hastelloy / Monel
Packing	PTFE, PTFE/CG, graphite, special
Body gasket	SIL C4500, NOVAPHIT, PTFE, special
Actuator	Carbon steel (epoxy painting) Stainless steel
Yoke	GGG 40 (epoxy painting)

CODES	DN	A	B	C						D	E	Weight Kg
				Extension			FINNED	BELLOWS				
				STD	-60°C	-100°C						
KC...06	25	197	96	297	359	434	729	382	403	205/275	88/100	19/22
KC...08	40	235	96	297	359	434	729	382	403	275/340	100/135	25/31
KC...09	50	267	100	297	359	434	729	382	403	275/340	100/135	32/38
KC...11	80	318	137	333	395	470	765	418	439	340/430	135	60/66
KC...12	100	368	159	350	412	487	782	435	456	430	135	mar-00
KC...14	150	473	233	495	-	642	990	642	SR	430/430HP	160/200	195/203

** = The weight indicated is without any accessories



KD

3 WAYS CONTROL VALVES 803 SERIES

Technical Data

The control valves have three ways globe body with screwed seats and function DIVERTING or MIXING.

Size (DN)	DN 15 - 100
Nominal Press.	PN 16, PN 40
Characteristic	Linear
Type sealing	Metallic (class IV-V) Soft (class VI)
Connections	Flange UNI/DIN PN16, PN40
Action	Pneumatic with diaphragm (supply max 3 bar)
Temperature	-20...+205°C



Valve body

Trim (Plug-seat)

Stem

Packing

Body gasket

Actuator

Yoke

Materials

Valve body	Nodular cast iron GGG40 (PN16) Carbon steel ASTM A216WCB Stainless steel ASTM CF8M
Trim (Plug-seat)	316L / 17-4PH / 316L+Stellite / 316L
Stem	316L
Packing	PTFE, PTFE+'OR' FPM, special
Body gasket	FASIT 400, SIL C4500, PTFE, special
Actuator	Carbon steel (epoxy painting) Stainless steel
Yoke	GGG 40 (epoxy painting) Columns in stainless steel

CODES	DN	Dimensions (mm)					Weight** Kg
		A	B1	C	D	E	
KD...04	15	130	156	212	205/275	88/100	15/18
KD...05	20	150	156	212	205/275	88/100	17/20
KD...06	25	160	156	212	205/275	88/100	18/21
KD...07	32	180	156	212	275/340	100/135	26/32
KD...08	40	200	156	212	275/340	100/135	27/33
KD...09	50	230	166	212	275/340/430	100/135/135	34/41/45
KD...10	65	290	220	298	340/430	135	59/65
KD...11	80	310	220	298	340/430	135	63/69
KD...12	100	350	240	318	430	135	88

** = The valve's weight indicated is without any accessories



1.53

CONTROL VALVES



VALVOIND Via Pascoli, 5 - 24060 Bagnatica (Bergamo) Tel. 035.681919 Fax. 035.680954

KE

3 WAYS CONTROL VALVES 2003 SERIES

Technical Data

Valves with superior performance in all applications with a wide temperature range

Size (DN)	DN 15-150
Nominal Press.	PN16, PN40, ANSI 300
Characteristic	Linear
Type sealing	Metallic (class IV-V) Soft (class VI)
Connections	Flange ANSI 300 Flange UNI/DIN PN16, PN40
Action	Pneumatic with diaphragm (supply max 3 bar)
Temperature	-196°C...+ 350°C



Valve body

Trim (Plug-seat)

Stem

Packing

Actuator

Yoke

Materials

Nodular cast iron GGG40 (PN16)
Carbon steel ASTM A216WCB
Stainless steel ASTM CF8M
316L / 17-4PH / 316L+Stellite /
Hastelloy / Monel
316L / Hastelloy / Monel
PTFE, PTFE/CG, graphite, special
Carbon steel (epoxy painting)
Stainless steel
GGG 40 (epoxy painting)
Columns in stainless steel

CODICI	DN	A	B1	C						D	E	Weight ** Kg
				Extension				FINNED	BELLAWS			
				STD	-60°C	100°C	200°C					
KE...06	25	197	156	297	359	434	729	382	403	205/275	88/100	21/24
KE...08	40	235	156	297	359	434	729	382	403	275/340	100/135	30/36
KE...09	50	267	166	297	359	434	729	382	403	275/340	100/135	38/44
KE...11	80	318	220	333	395	470	765	418	439	340/430	135	67/73
KE...12	100	368	240	350	412	487	782	435	456	430	135	apr-00
KE...14	150	473	350	495	-	642	990	642	SR	430/430HP	160/200	202/210



** = The valve's weight indicated is without any accessories

OPTIONS AND ACCESSORIES	EURO	800	2000	803	2003
Special 3 way DIVERTING CORRECT (size DN40-100)					
Special 3 way DIVERTING CORRECT (size DN40-150)					
Full stainless steel actuator for corrosive environment					
Electric linear actuators (230 V AC, 110/115 V AC, 24 V AC/DC)					
Low Noise					
Characteristic linear					
Airset					
Limit switches					
Flanges can be drilled to ANSI 150 but with face to face					
Plug sealing HPP PEEK					
Stroke limiter					
Valve positioners					
SMART Valve positioners					
High temperature Packing					
Extension (- 60 / - 100 °C)					
Cryogenic extension (- 196°C)					
High temperature extension (finned bonnet)					
Position feedback					
Bellows seal (double wall PN16, triple wall PN40)					
Metallic seal					
Soft seal					
Handwheel for emergency operation					

1.70

**2-WAY CONTROL VALVE
WITH ELECTRIC ACTUATOR**

Valvoind

valvole industriali

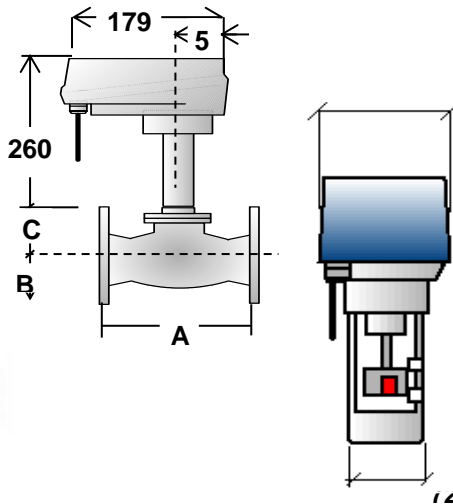
VALVOIND Srl Via Pascoli, 5 - 24060 Bagnatica (Bergamo) Tel. 035.681919-Fax. 035.684461

Particularly suitable for high temperatures and nominal pressures PN 16. The rotary actuator is guided above. The large stem and the particular construction of the cap, with double guide bush, give the shutter excellent dynamic stability up to 15 bar.

Body	Single seat GG40 globe valve	Working temperature	160°C with spare shaft 210°C with cooling extension
Packing	Graphoil	Alarms	2 switches
Stem	Rebored and rolled AISI 316	Bracket	Die cast aluminium
Plug	EQP=% stainless steel with stellite coating	Power supply Input	24 V AC/DC 4..20 mA
Seal	screwed onto the stainless steel body with stellite coating	Output	0..10 V
Slide	AISI 440 C - rebored	Collegamento elettrico Motore Belimo	
Actuator	multifunction - modulating with spring return	n° 1 resistenza da 500 ohm	
Interface	integral MP bus		
Working Time lavoro	150 s (adjustable 75...300s)		

KG 101

2-WAY CONTROL VALVE WITH ELECTRIC ACTUATOR



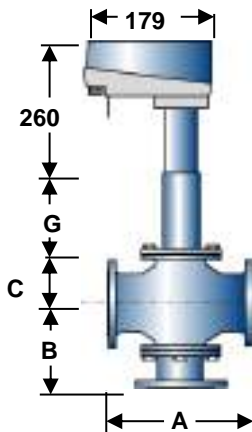
Globe control valve complete with multifunction modulating actuator with spring return with emergency function

Body: GG25 PN6 - PN16 - PN25
Interior: AISI316
Voltage: 24V ac/dc - 230 V
Signal: 4..20 mA - 0..10 V - On Off

CODES:	DN	A	B	C
KG10104	15	150	48	79
KG10105	20	150	53	79
KG10106	25	160	58	81
KG10107	32	180	70	82
KG10108	40	200	75	102
KG10109	50	230	83	103

KG 150

3-WAY CONTROL VALVE WITH ELECTRIC ACTUATOR



3-way mixing control valve complete with multifunction modulating actuator with spring return with emergency function

Body: GG25 PN6 - PN16 - PN25
Interior: AISI316
Voltage: 24V ac/dc - 230 V
Signal: 4..20 mA - 0..10 V - On Off

CODICI	DN	A**	B	C	G
KG15004	15	150	65	75	200
KG15005	20	150	65	75	200
KG15006	25	160	67	78	200
KG15007	32	180	75	86	200
KG15008	40	200	75	86	200
KG15009	50	230	82	93	200

5.66

PNEUMATIC CONTROL VALVES

Valvoid

valvole industriali

VALVOID Srl Via Pascoli, 5 - 24060 Bagnatica (Bergamo) Tel. 035.681919-Fax. 035.684461

PWV40I

PNEUMATIC CONTROL VALVES
(WV40I globe valves series with linear actuators PA series)

PN40

Da Ø 1/2" a Ø1"
Da DN15 a DN25

- OPTIONS**
Position transmitter 4-20 mA
Pneumatic pilot positioner
Electropneumatic pilot positioner
Air filter regulator
Top-work manual handwheel
- USE**
Saturated and superheated steam.
Hot and superheated water.
Air, gases and other noncorrosive fluids.
- MODELS**
PWV40I
- CONNECTIONS**
Flanged EN 1092-1 PN16 – PN40
Sandwiched between flanges as per EN 1092-1 PN16/40
- ACTUATOR**
PA-205; PA-280; PA-340.
- ACTUATOR CONN**
1/4" NPT-F
- CONTROL SIGNAL**
0,2 - 1 bar ; 0,4 - 1,2 bar ; 0,4 - 2 bar .



MATERIALS		
POS.	DESIGNATION	MATERIAL
1	Valve Body	AISI 316 / 1.4401
2	Bonnet	AISI316 / 1.4401
3	* Actuator (Steel)	S235JRG2 / 1.0038
	* Actuator (St. steel)	AISI304 / 1.4301
4	Diaphragm	NBR70
5	Yoke (steel)	C45E / 1.1191
	Yoke (st. steel)	AISI304 / 1.4301
6	Valve plug	St.Steel - PTFE/GR
7	Standard packing	PTFE/GR

* Electric actuator : see IS EL20.00 E

CE MARKING (PED - European Directive 97/23/EC)	
PN 40	Category
DN 1/2" to 1"	SEP - art. 3, paragraph 3

DIMENSIONS - ACTUATOR				
Type	ø E (mm)	D (mm)		WEIGHT Kgs
		DN15-25	DA/RA	
PA-205	210	235		5,7
PA-280	275	240		8,8
PA-340	335	265		14,3

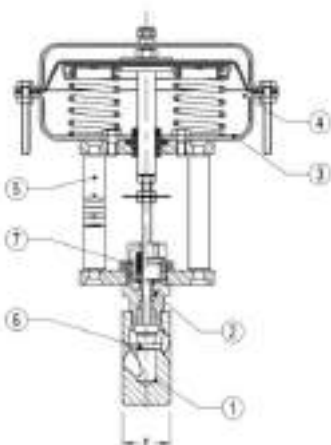
DIMENSIONS - VALVE BODY				
DN	A (mm)	B (mm)	F (mm)	C (mm)
				BONNET STANDARD
15	60	45	38	70
20	68	45	38	70
25	105	55	50	70

VALVE LIMITING CONDITIONS	
Press. bar	Temp. °C
40	-10/100
33,7	200
31,8	250
29,7	300

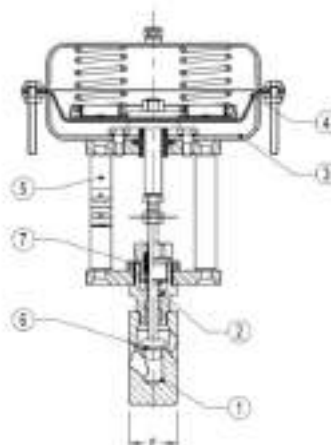
Maximum temperature limited to the valve packing selected. Valves with soft seating: max. temperature 200°C

MAX. AIR SUPPLY PRESSURE	3,5 Bar	
AMBIENT TEMPERATURE	dai -20°C ai +70°C	
BONNET	STANDARD	FINNED
	Da -5°C a +200°C	> 200°C
STEL GASKET	PTFE	Graphite
	220°C	300°C
PLUG	PL - Linear	
	Contoured Microflow	
PORT	Reduced port	

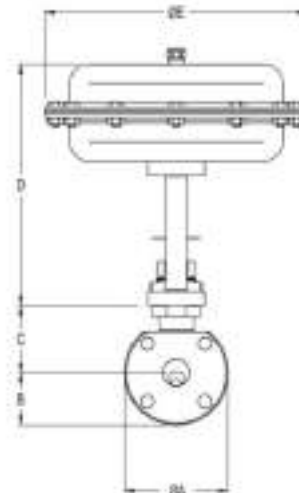
MAX. PRESSURE DROPS IN BAR (Fluid Open)				
ACTUATOR	CONTROL SIGNAL	SIZES		
		DN15	DN20	DN25
PA-205	0,2 + 1 bar	8	8	7,5
	0,4 + 1,2 bar	12	12	9
	0,4 + 2 bar	14	14	11
PA-280	0,2 + 1 bar	32	27	18
	0,4 + 1,2 bar	41	40	22
	0,4 + 2 bar	52	47	27
PA-340	0,2 + 1 bar	60	60	50
	0,4 + 1,2 bar	80	80	60
	0,4 + 2 bar	100	100	80



PWV40I DA - Direct action



PWV40I RA - Reverse action



PWV40I - Direct and reverse action from DN15 to DN25

ACTUATOR STROKE IN mm			
Stroke	SIZES		
	DN15	DN20	DN25
Stroke	15	15	15

FLOW RATE COEFFICIENTS			
Kvs	SIZES		
	DN15	DN20	DN25
Kvs	1,7	2,2	5,5

Kvs in m³/h - see data sheet IS PV 10.00 E - For conversion Kvs = Cv(US) x 0,865