

5.73

COOLING UNIT AND CONDENSING HEADS

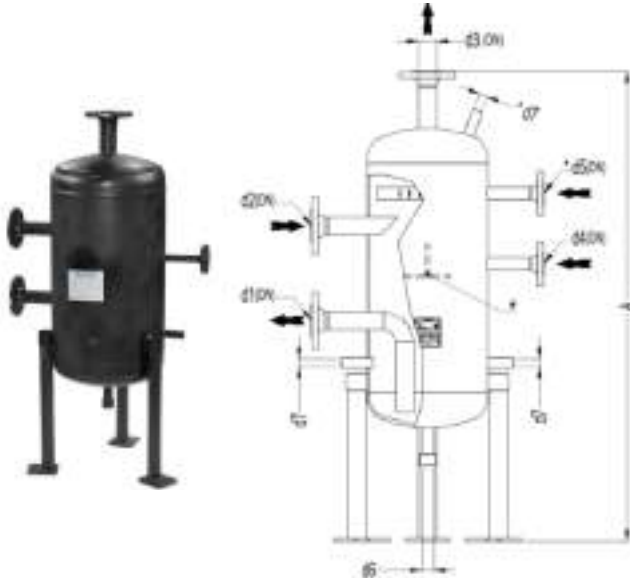


VALVOID Srl Via Pascoli, 5 - 24060 Bagnatica (Bergamo) Tel. 035.681919-Fax. 035.684461

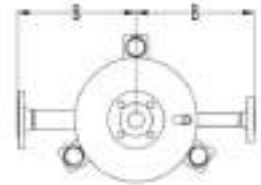
BEX

BLOWDOWN EXPANSION AND COOLING UNIT

- OPTIONS**
Stainless steel construction.
Complete system including all the necessary equipments (stop and check valves, thermostats, exhaust head, etc)
Manifold with several inlets for multi-boiler installations.
- USE**
Boiler blowdown and hot waste water.
- MODELS**
BEX30, 40, 50, 60 and 80.
- CONNECTIONS**
Female screwed.
Flanged EN 1092-1 PN16 or ANSI.
Different connections on request.
- CONNECTIONS**
Carbon steel or stainless steel under request.
- INSTALLATION**
Vertical installation.
Final dimensions and connections according to the supplied drawing.
The inlet of blowdown tank is always higher than the boiler discharge valves. Therefore, the connecting pipe should have provisions made at a low point to drain the boiler.



CONNECTIONS		
POS.	DESIGNATION	Rating
d1	Drain outlet	PN 16
d2	Blowdown inlet	PN 16
d3	Venting outlet	PN 16
d4	Cooling water inlet	PN 16
d5	Flash steam cooling water	PN 16
d6	Drain	PN 16
d7	Thermostat/thermometer connections	PN 16



LIMITING CONDITIONS	
PS - Maximum Allowable Pressure	0,5 bar
TS - Maximum Allowable Temperature	120 °C

Minimum operating temp. : -10°C. Design code: AD-Merkblatt
Other conditions and CE marking on request.

DIMENSIONS												
Model	A	B	d1	d2	d3	d4	d5*	d6	d7	Volume lts	STW lts**	WEIGHT Kgs ***
BEX30	1245	312	40	40	40	25	25	G1"	G1/2"	86,6	18	89
BEX40	1275	355	50	50	50	25	25	G1"	G1/2"	111,7	29	100
BEX50	1430	455	80	50	80	25	25	G1"	G1/2"	261	71	130
BEX60	1930	455	100	65	100	25	25	G1"	G1/2"	372	121	180
BEX80	2280	530	150	100	150	40	40	G1 1/2"	G1/2"	883,5	233	367

SELECTION TABLE					
Hot water flow rate (kg/s)	300	600	1500	3000	5000
Model	BEX30	BEX40	BEX50	BEX60	BEX80

*Optional, **Standing water, *** Weight to be confirmed.

FCD

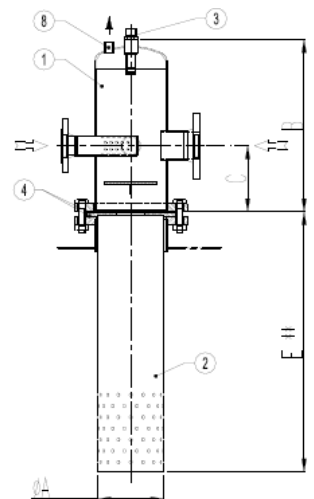
ADCATHERM FLASH CONDENSING HEADS

- OPTIONS**
Complete system including all the necessary equipments
- USE**
On boiler water feed tanks.
- MODELS**
FCD150, 200,250,300 and 400.
- CONNECTIONS**
Female screwed.
Flanged EN1092-1 or ANSI.
Different connections on request.
- INSTALLATION**
Vertical installation, on the top of the vessel.

MATERIALS		
POS.	DESIGNATION	Material
1	Mixing unit	St. Steel
2	Immersion tube	St. Steel
3	Spray nozzle	St. Steel
4	Gaskets	C 4430
5	Condensate return	St. Steel
6	Coldwater make-up	St. Steel
7	Flash steam(option)	St. Steel
8	Airvent conn.	St. Steel
8	Vacuum breaker conn.	St. Steel

LIMITING CONDITIONS	
PS - Maximum Allowable Pressure	0,5 bar
TS - Maximum Allowable Temperature	120 °C

Minimum operating temp. : -10°C. Design code: AD-Merkblatt
Other conditions and CE marking on request.



SELECTION TABLE					
Max. Steam Generation (kg/h)	5000	10000	25000	35000	50000
Model	FCD150	FCD200	FCD250	FCD300	FCD400

The length of immersion tube to be defined according to the vessel design.

DIMENSIONS (mm)										
Model	A	B	C	D1	D2	D3*	E**	G1	G2	WEIGHT
FCD150	155	484	175	50	25	40	195	1"	1/2"	***
FCD200	205	522	200	60	32	50	195	1"	1/2"	***
FCD250	255	557	220	100	50	80	195	1"	1/2"	***
FCD300	300	617	250	160/150	65	100	195	1"	1/2"	***
FCD400	400	680	290	150	80	100	195	1"	1/2"	***

*Optional ; ** Dimensions on request (Standard : 950,1200,1600,2100mm), *** Weight to be confirmed.